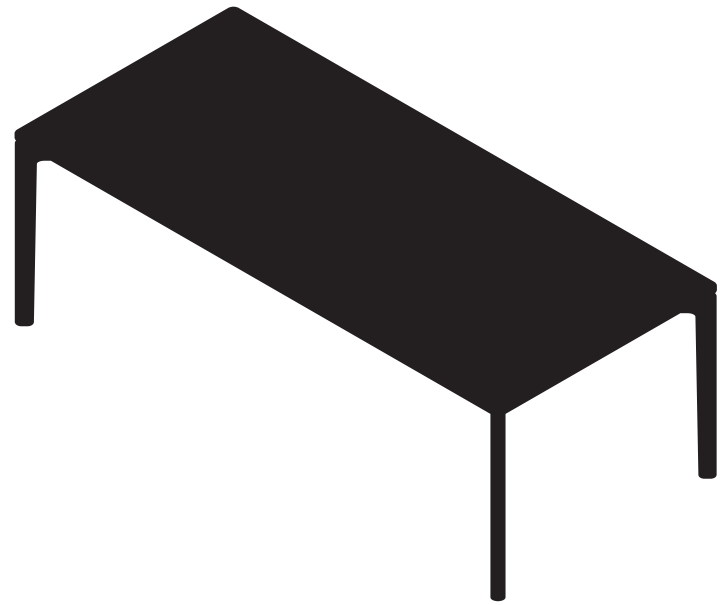


eva solo

Design by ARDE



More dining table

Care and maintenance

Keeping the product in a good condition prolongs it's lifespan.

Avoid unnecessary damage by following the guide below.

- Remove stains immediately to avoid permanent damage of the surface.
- Place the product in a humidity and temperature stable environment, avoiding direct sunlight.
- Use coasters when placing hot or cold items on the surface.
- Avoid placing heavy objects on the product.
- Tighten screws after one month of usage.
- Avoid using sharp or hard objects on the product, as they might scratch or damage the surface.
- Avoid pushing or pulling the product, when moving it, as this might damage the floor and the product.

Laminate and veneer

- Wipe with a moist clean cloth wrung in water or in a solution of mild soap and water. Remove any residue immediately using a clean dry cloth.
- Use products specifically suited for laminate and veneer, if the surface seems matt or scratched.
- Avoid using scouring cream or scouring pads on the surface, as they might scratch or damage the surface.

Powder-coated aluminium

- Wipe with a moist clean cloth wrung in water or in a solution of mild soap and water. Remove any residue immediately using a clean dry cloth.
- Avoid using scouring cream or scouring pads on the surface, as they might scratch or damage the surface.

Warranty

Eva Solo A/S guarantees that its products are free from manufacturing defects. The warranty covers materials and manufacturing defects, but not problems arising from incorrect use or natural wear and tear.

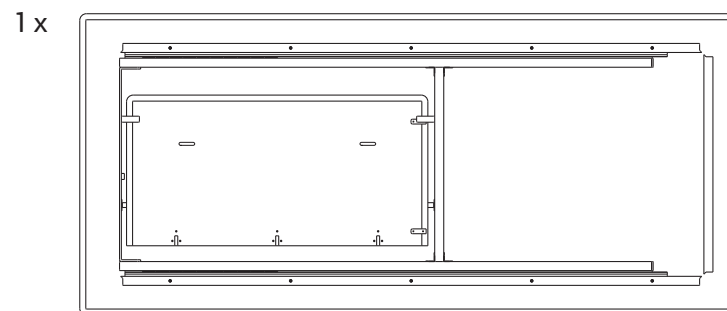
Complaints

Right of complaint in accordance with applicable legislation. No right of complaint in the case of damage caused by using the products in any way other than for its intended use, or caused by incorrect handling, normal wear, inadequate or incorrect maintenance or incorrect repairs as well as tampering with the products by unauthorised persons. Remember to retain the receipt/invoice as it must be produced in the event of a complaint. Please contact the shop where the product was purchased. Errors and omissions excepted.

Eva Solo A/S

Måløv Teknikerby 18-20
2760 Måløv
Denmark
Tel.: +45 36 73 20 60
www.evasolo.com

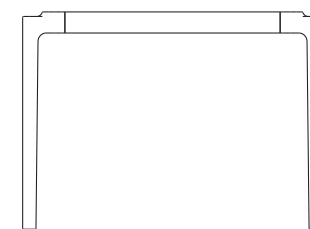
Content



A
2 x



B
1 x



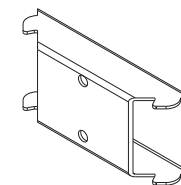
C
4 x



D
4 x



E
2 x



F
8 x



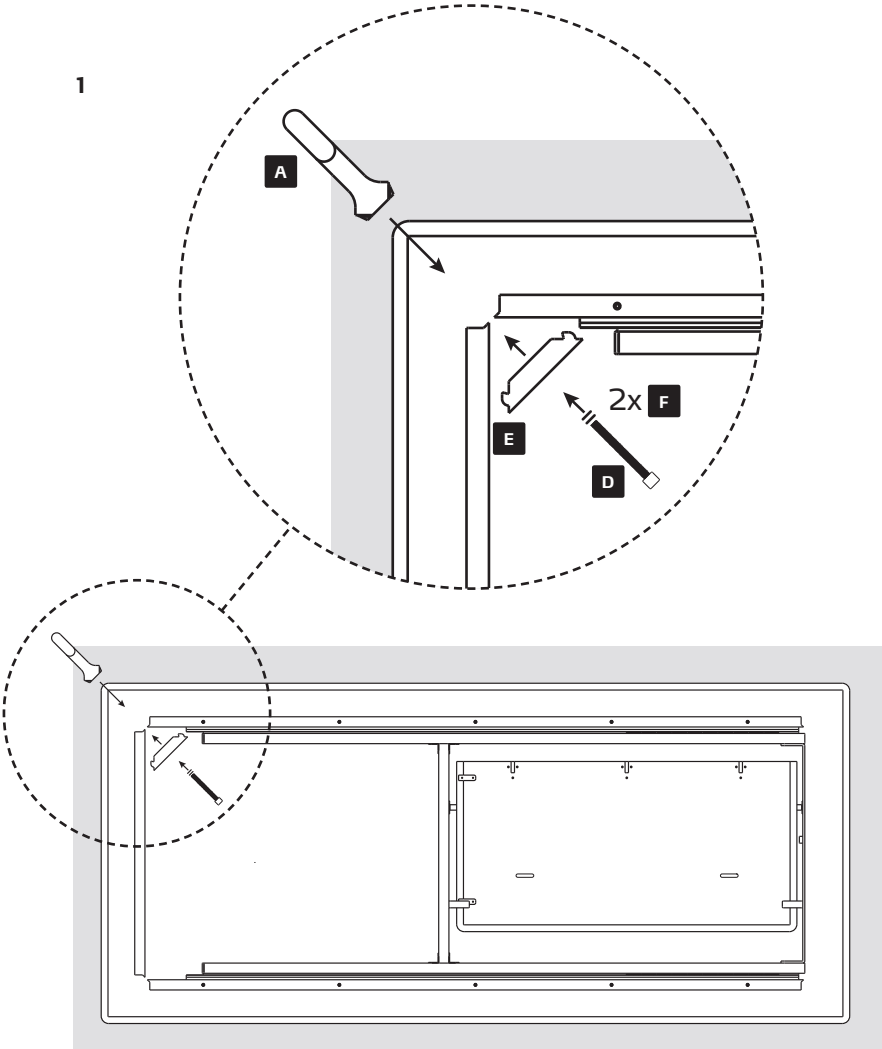
G
1 x



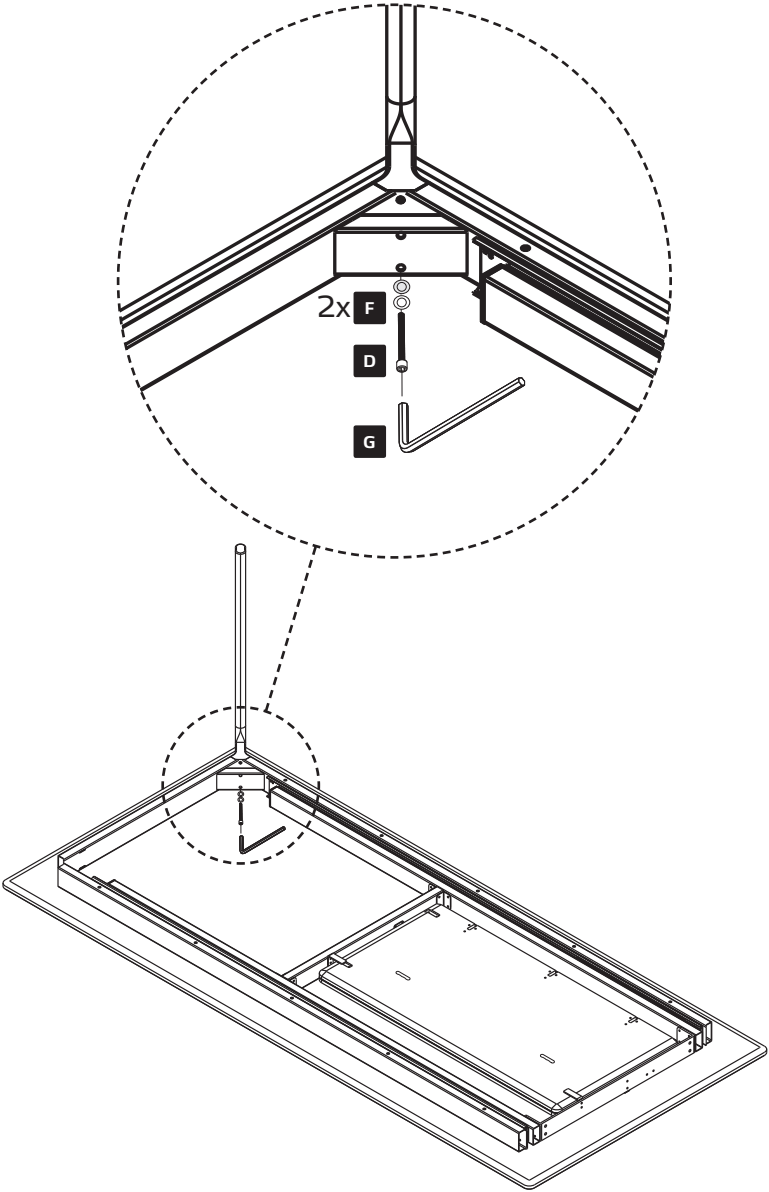
Assembly

- Assemble the legs while keeping the tabletop in the box.
- Always thighten screws 50% when assembling the table and then thighten the remaining 50% when all screws are in place.

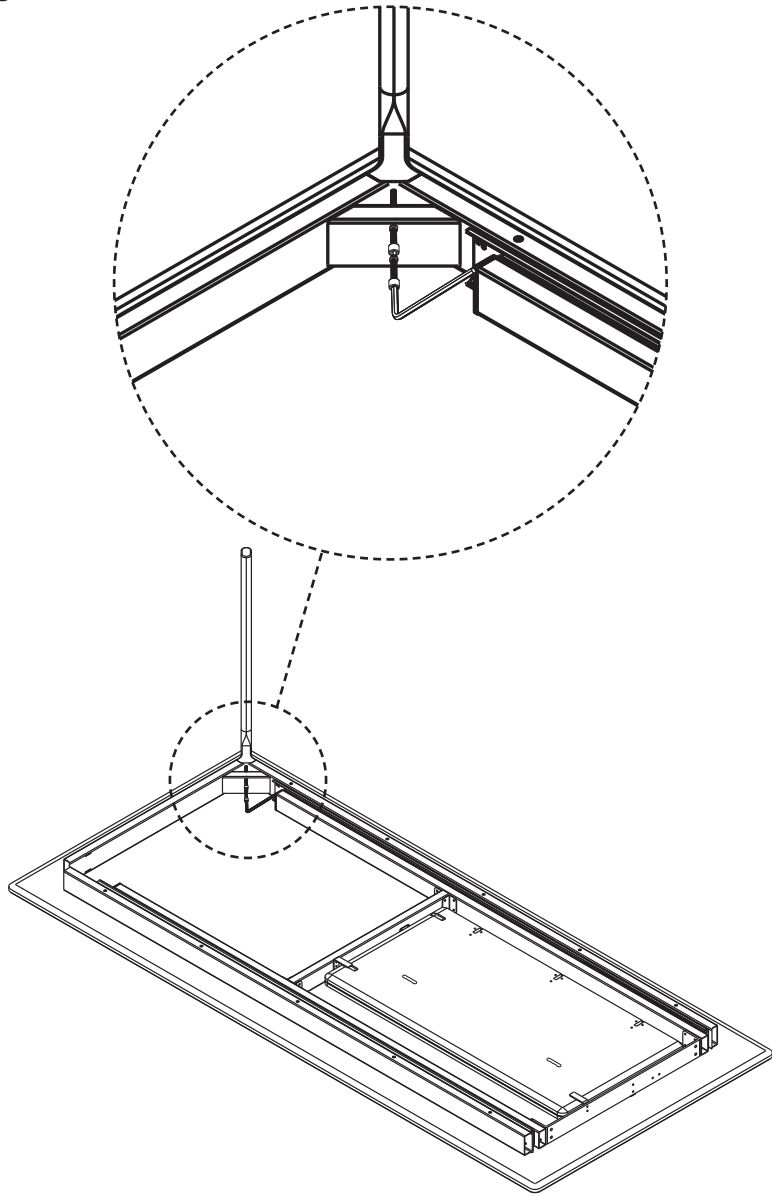
1



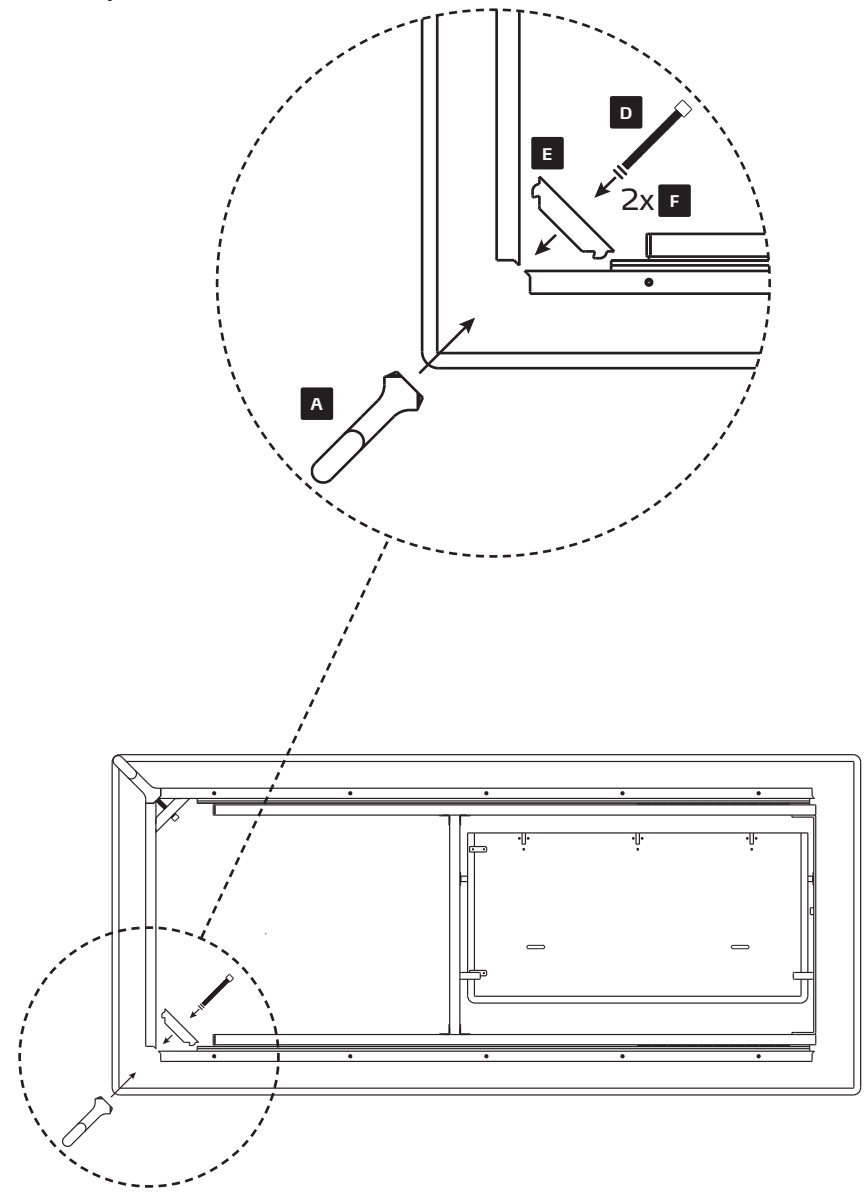
2



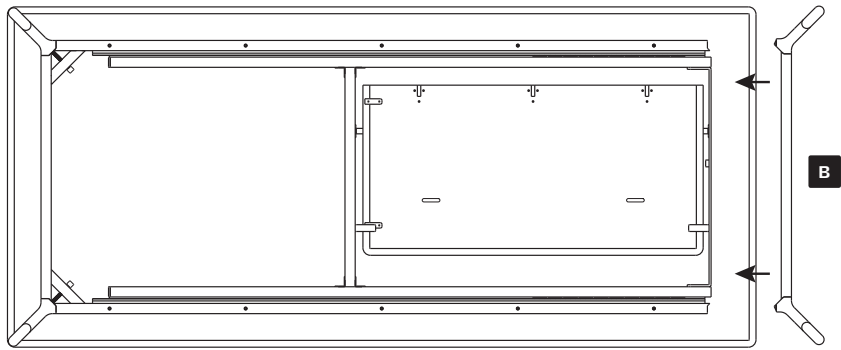
3



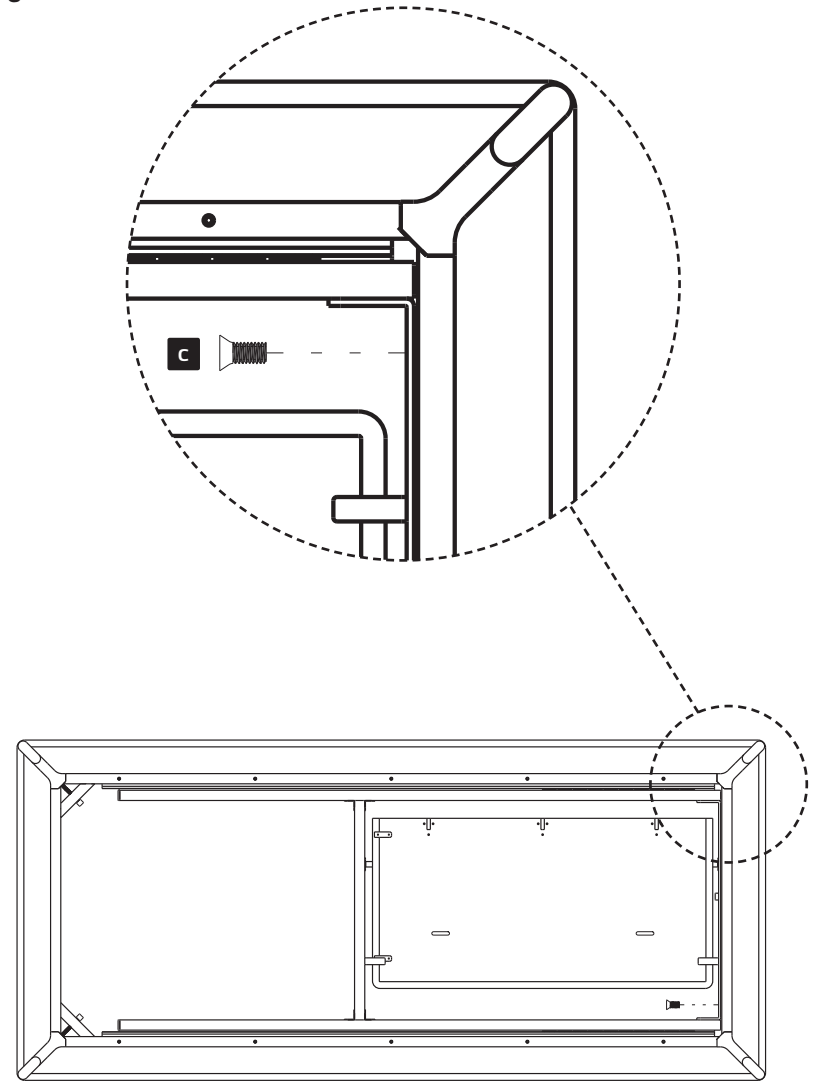
4



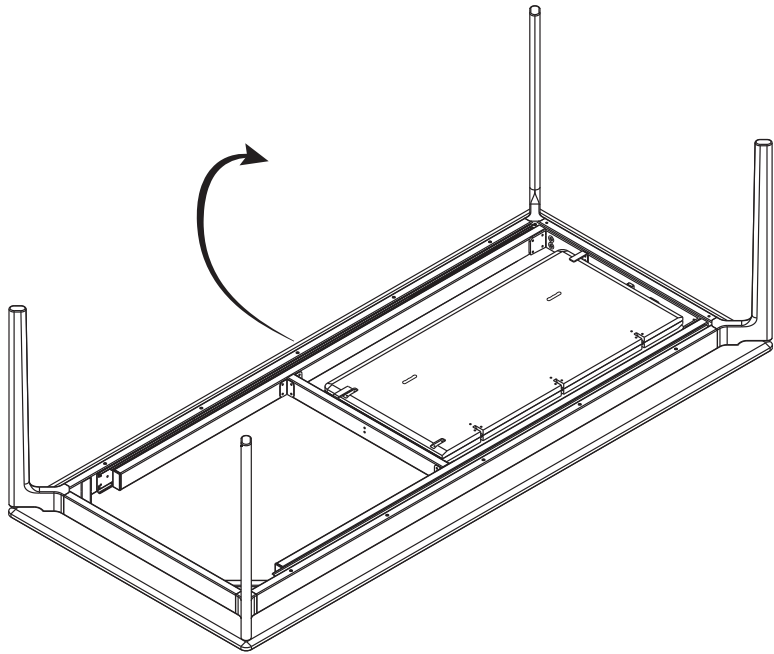
5



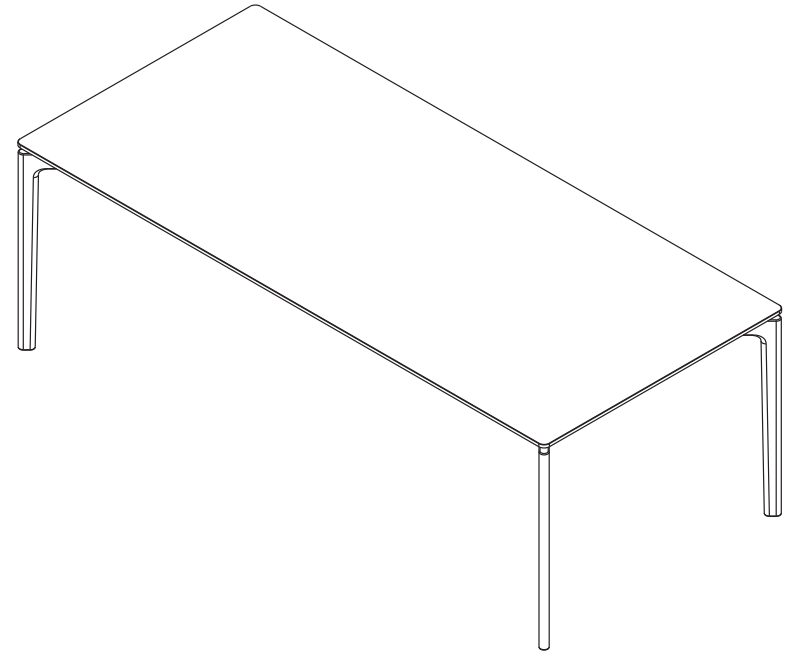
6



7



8



How to extend the table

Slide both table legs out towards you until the extending butterfly flaps appear. Grab the handle and the extension opens automatically with a butterfly mechanism. Slide table legs back in place to secure the tabletop.

It is possible to fine-tune the height of the butterfly flaps by turning the black adjustment screws on the backside of the flaps. This will help increase the stability of the extended tabletop.